

**SILENCED** version

- 1 cylinder
- 224 cm<sup>3</sup>
- 2,7 kW/3,7 HP
- 3000 r.p.m.
- Nm 9,8@2000



## Construction

- 4 -stroke air cooled diesel engine.
- Conical power take-off on crankshaft.
- Anticlockwise rotation.
- Direct injection.
- Forced lubrication with oil pump.
- Centrifugal mass governor.
- Built-in full flow oil filter.
- Oil breathing blow-by with safety device.
- Automatic extra fuel starting device.
- Self bleeding fuel system.
- Torque regulator.
- Automatic compression release.
- Die-cast aluminium crankcase with integral cast iron cylinder liner.
- Aluminium alloy cylinder head.
- Built-in rigid feet.

## Applications

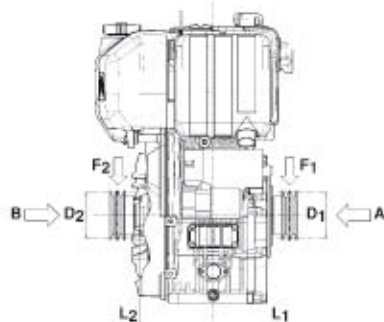
- Generating sets
- Vibrating plate
- Two-wheel tractor
- Agricultural mower
- Agricultural pump
- High pressure cleaner

# SERIE 15LD S

## Specifications

Cylinders	N.	1
Displacement	cm <sup>3</sup>	224
Bore	mm	69
Stroke	mm	60
Compression ratio		21:1
Rating kW/HP	N (80/1269/CEE) ISO 1585	2,7/3,7
	NB ISO 3046 IFN	2,5/3,4
	NA ISO 3046 ICXN	2,3/3,1
Max. torque	Nm	9,8@2000
Min. idling speed		950÷1000
Fuel tank capacity	l	3
Oil consumption	kg/h.	0,0021
Oil sump capacity	l	0,9
Min. allowable oil pressure	bar	1
Max. allowable inclination for:		
- short periods of operation (max. time 30 minutes)		25°
- peak values (max. time 1 minute)		35°
Cap. of air required for correct combustion @ 3000 r.p.m.	l/min.	290
Cap. of air required for correct cooling @ 3000 r.p.m.	l/min.	3200
Dry weight	kg	28
Recommended battery	V/Ah	12/36

Minimum pulley diameters for belt drive



$$D_2 \text{ (mm)} \geq 740 [90 + L_2 \text{ (mm)}] \frac{N \text{ (kW)}}{n \text{ (RPM)}}$$

$$D_1 \text{ (mm)} \geq 820 [55 + L_1 \text{ (mm)}] \frac{N \text{ (kW)}}{n \text{ (RPM)}}$$

Max. intermittent axial load in both directions A-B = 150 kg

$$F_2 \text{ (N)} \leq \frac{77000}{90 + L \text{ (mm)}}$$

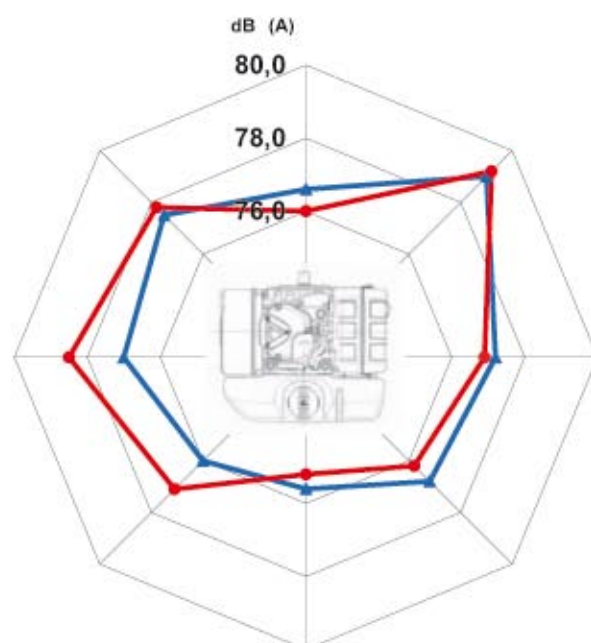
$$F_1 \text{ (N)} \leq \frac{70000}{55 + L \text{ (mm)}}$$

Maximum radial force on pulley for belt drive



## Sound pressure level dB (A)

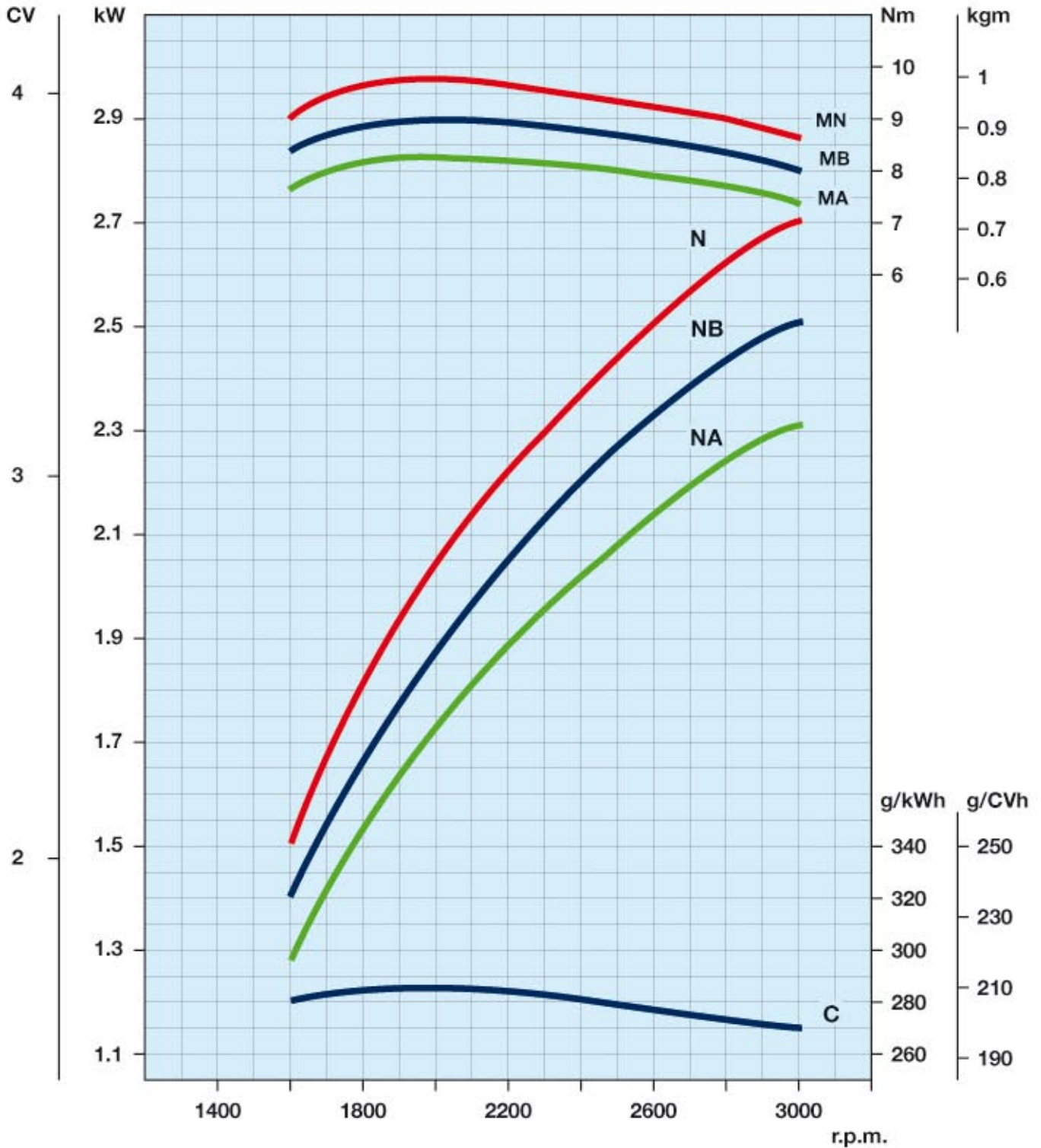
Sound level polar diagram open field 4 meters microphone on load and non load running engine.



— 15LD225/S with 1,9 kW load — 15LD225/S without load

# SERIE 15LD S

## Curves 15LD 225S



**N** Power curve - 80/1269/CEE - ISO 1585 -

**NB** Power curve - ISO 3046 - IFN -

**NA** Power curve - ISO 3046 - ICXN -

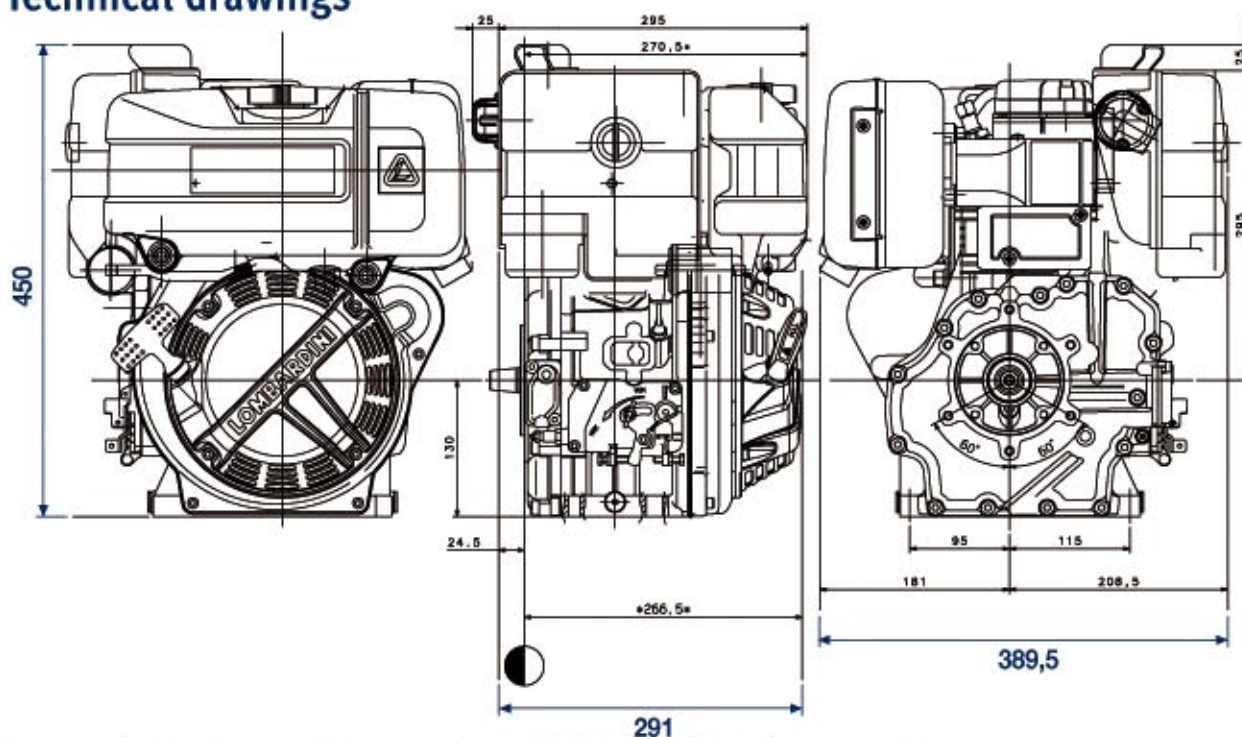
**MN** Torque curve - (N curve)

**MB** (NB curve) - **MA** (NA curve)

**C** Specific fuel consumption - (NB curve)

Power ratings refer to engines equiped with air filter, standard muffler, after being run in and in ambient conditions of 20°C and 1 bar. Power levels drop by 1% every 100m altitude and by 2% every 5°C above 20°C.

## Technical drawings \*



\* More specific dimensions are available on [www.lombardini.it](http://www.lombardini.it) (see table at the bottom of the page)

## Standard equipment

Recoil starting and automatic compression release  
 Fuel tank  
 Fuel filter  
 Dry-air cleaner  
 Muffler with guard  
 Accelerator and stop manual control  
 User maintenance-spare parts booklet

## Accessories

Power take-off flywheel side (engines with electrical starting)  
 Power take-offs with flanging and special shaft  
 Parallel crankshaft  
 Internal dynamic balancer  
 Oil-bath air-cleaner  
 Electric start 12 V / 24 V  
 Keyswitch panel  
 Emergency stop through electrovalve  
 Accelerator and stop remote control  
 Key start panel with shutdown device  
 Fuel lift pump  
 Oil dipstick on cylinder head  
 Oil pressure switch  
 Oil temperature switch  
 Glow plug on intake manifold  
 Recoil with denoising cover  
 Grass protection for engine cooling



UNI EN ISO 9001 - cert. n° 0448  
 ISO/TS 16949 - cert. n° 3792



LOMBARDINI S.r.l. a Socio unico  
 Cap. Soc. € 44.000.000,00 int. ver. R.E.A. 227083  
 Reg. Imp. RE/CEE Code/P.IVA (IT) 01829970357  
 Via Cav. del Lavoro Adelmo Lombardini, 2  
 42124 Reggio Emilia - Italia  
 Tel. +39.0522.3891 - Fax +39.0522.389503  
 info@lombardini.it [www.lombardini.it](http://www.lombardini.it)

Files for this product available on [www.lombardini.it](http://www.lombardini.it)

Data sheet	15LD225DS.PDF
Owner manual	15LD225OM.PDF
Service manual	15LD225SM.PDF
Technical drawing	15LD225TD.DWG
Power curve	15LD225PC.PDF

LOMBARDINI RESERVES THE RIGHT TO MAKE MODIFICATIONS WITHOUT PRIOR NOTICE

cod. 35583020 - 10-2010